

4

3

2

1

THIS DRAWING IS UNPUBLISHED.

RELEASED FOR PUBLICATION

© COPYRIGHT - By -

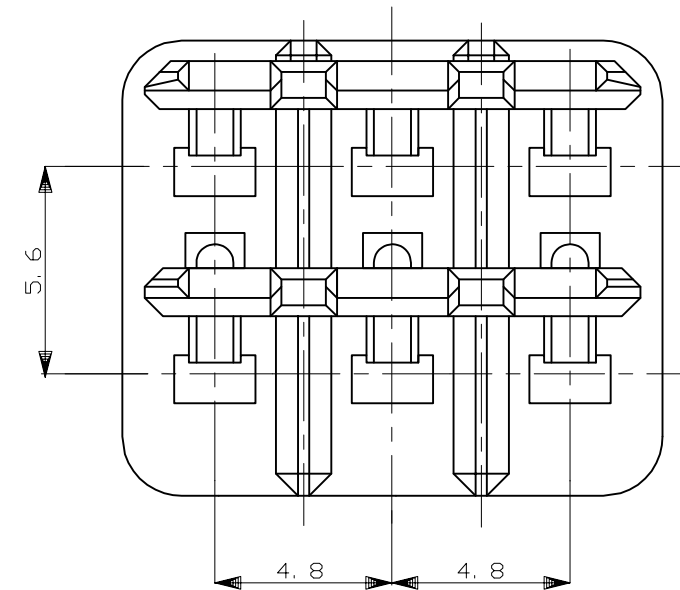
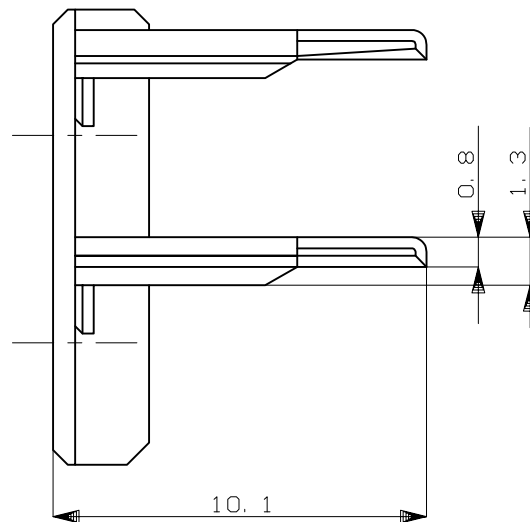
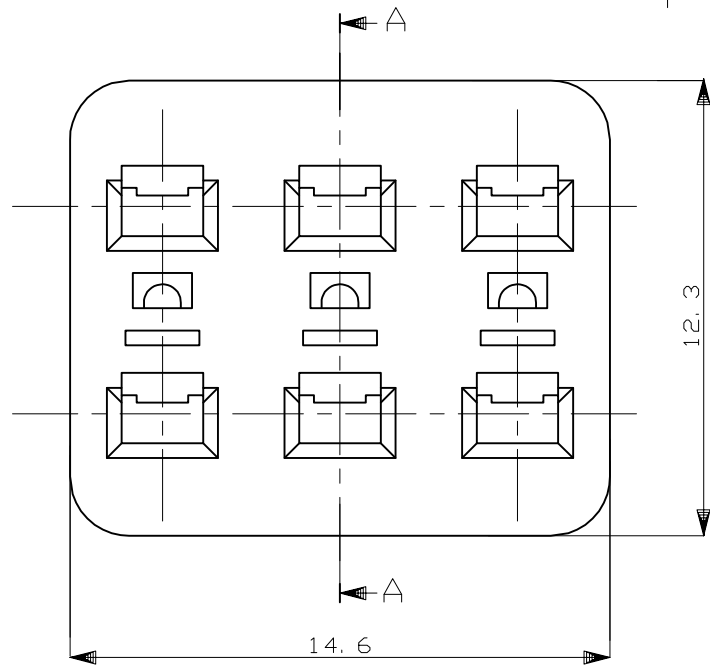
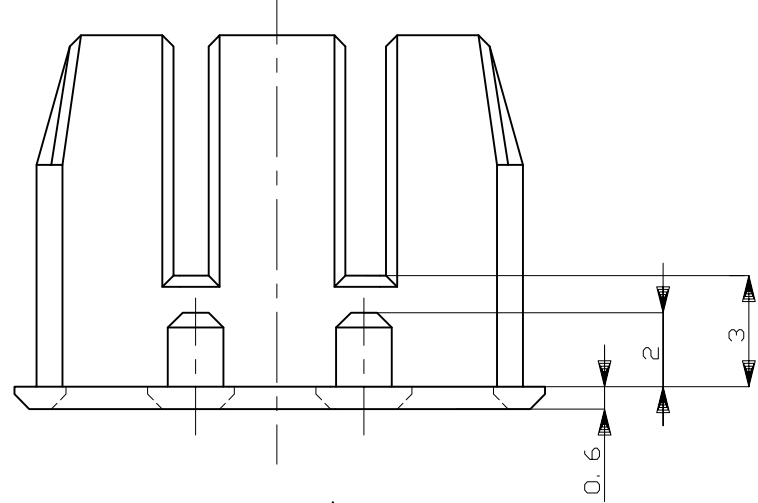
ALL RIGHTS RESERVED.

LOC

DIST

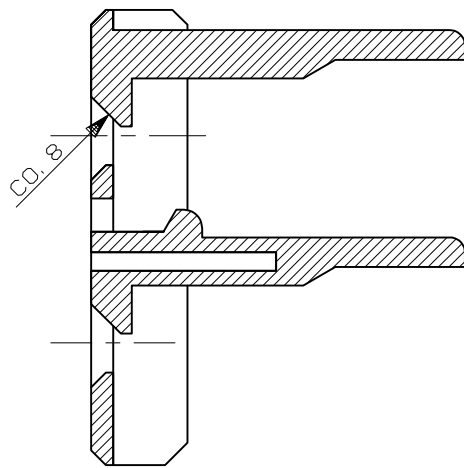
REVISIONS

P	LTR	DESCRIPTION	DATE	DWN	APVD
	B1	REVISED	08JAN2014	TS	KB



1. 本品は、キャップハウジング型番174262に装着される。

1. TO BE MATED WITH CAP HOUSING PN 174262



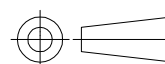
SECT 断面 A-A

GENERAL TOLERANCE

0 < * ≤ 10	: ±0.2
10 < * ≤ 30	: ±0.25
30 < * ≤ 100	: ±0.3
ANGLES	: ±3°

THIS DRAWING IS A CONTROLLED DOCUMENT.

DIMENSIONS: mm



MATERIAL PBT

TOLERANCES UNLESS OTHERWISE SPECIFIED:

0 PLC	± -
1 PLC	± -
2 PLC	± -
3 PLC	± -
4 PLC	± -
ANGLES	± -

FINISH -

DWN T.SAGAWA 5/16'89

CHK Y.MATSUSAKA 5/26'89

APVD M.NOGUCHI 5/31'89

PRODUCT SPEC

108-5262

APPLICATION SPEC

WEIGHT -

CUSTOMER DRAWING

HB	自然色 (NATURAL)	1-174263-1
V-2	黄 (YELLOW)	174263-7
使用材料難燃グレード (FLAMMABILITY OF MATERIAL)	色 (COLOR)	型番 (PART NUMBER)

STE TE Connectivity

NAME 6P. ECONOSEAL J-MARKII+ CONNECTOR DOUBLE LOCK PLATE FOR PLUG HOUSING

SIZE	CAGE CODE	DRAWING NO	RESTRICTED TO
A3	00779	C=174263	-

SCALE 5:1 SHEET 1 of 1 REV B1